

TRe20 Electronic Transformer for LED - Aluminum

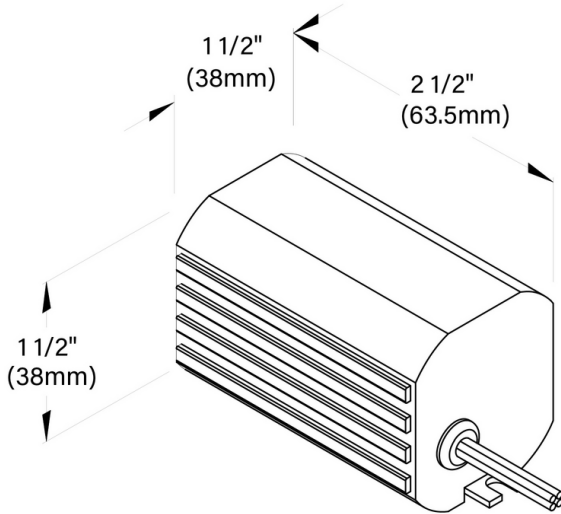
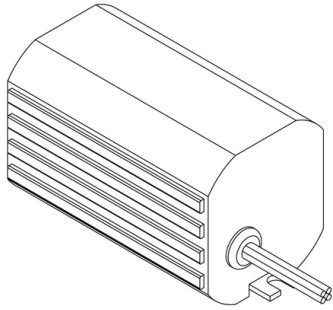
Date Project Type



[Downloads](#)

[Product Image](#)

[Technical Drawing](#)



TRe20 Electronic Transformer for LED - Aluminum

Date

Project

Type

Configure

TRE20 -
01

AL -
04

___ -
05

TRe20 Electronic Transformer for LED - Aluminum

01 ACCESSORIES

TRE20 - TRe20 Electronic Transformer for LED

04 MATERIAL

AL - Aluminum

05 POWER SUPPLY

MT-NON - 120V,277V - Non-dimming

IMPORTANT: Transformer wattage MUST be calculated based on the total load of the luminaires it will support.

TRe20 Electronic Transformer for LED - Aluminum

Date Project Type

Transformers

Power Supply	Control	Max Load (W)	Input Voltage	Power Factor	THD (%)	Operation Ambient Temperature	Output Current	Circuit Breaker	Min Load (W)
MT-NON	NON	20	-	90		-30°C to 90°C	15VDC +/-5%	-	1

TRe20 Electronic Transformer for LED - Aluminum

Date

Project

Type

Technical

Body: Fully encapsulated, extruded aluminum casing with black anodized finish. Class 'A' sound rating. Captive retractable mounting feet for mechanical attachment.

Installation: Suitable for use in ambient temperatures ranging from -10F to 130F. Not to exceed 15' overall wiring distance using 12 gauge stranded copper wire. Suitable for installation into 4" Octagonal junction box with extension ring or larger fill size.

Warranty: 5-year limited warranty.

Certification: UL tested to IESNA LM-79. UL Listed. Certified to CAN/CSA/ANSI Standards.

IMPORTANT: Transformer wattage MUST be calculated based on the total load of the luminaires it will support.